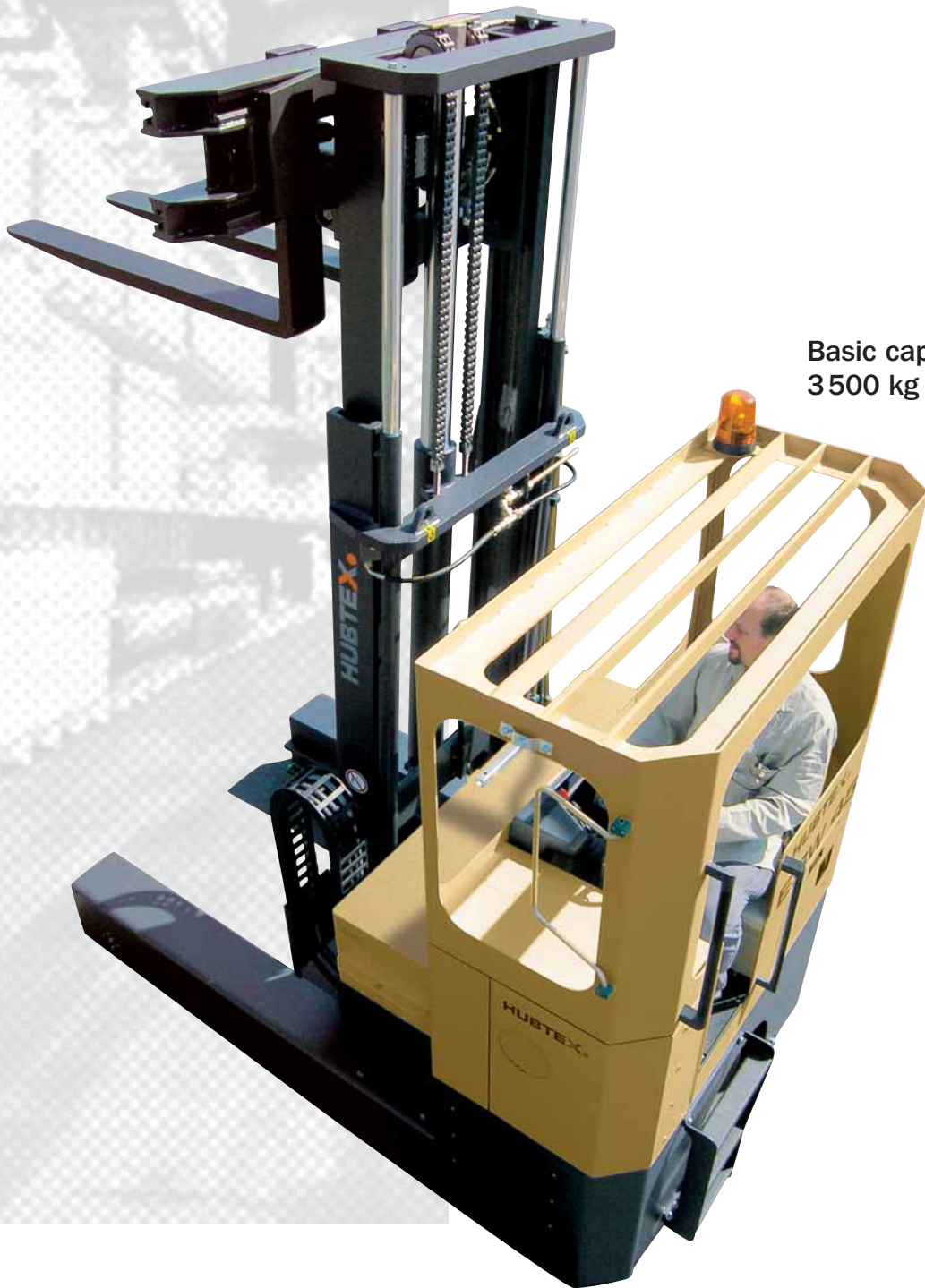


Increase your stock rotation

**SERIES**

**ELECTRIC  
FORK-LIFT REACH TRUCK  
MODEL ESW**

**4120**



Basic capacities from  
3500 kg to 6000 kg

World-class solutions to logistics problems!

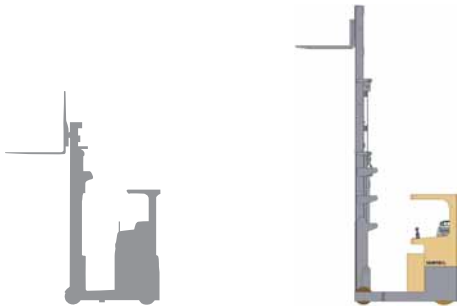
[www.hubtex.com](http://www.hubtex.com)

**HUBTEX.**

## Features

The outstanding feature of the HUBTEX ESW series 4120 fork-lift reach truck is a compact design and a most progressive technology. The ESW offers multi pack handling over conventional reach trucks to maximise stock rotation by a combination of high lifting capacities and long battery running times. The HUBTEX series 4120 with capacities from 3 500 kg to 6 000 kg is an alternative solution to conventional fork-lift reach trucks with restricted standardized capacities.

## HUBTEX ... starts where others quit!



standard fork-lift reach truck  
with capacities to max. 2.500 kg.

**HUBTEX-ESW**  
with capacities from  
3.500 kg to 6.000 kg

### Further advantages include:

- › Variable frame width according to load width (loadbeds from 800 to 1600 mm).
- › Maintenance-free regenerative brake system.
- › Rapid cycle times with powerful drive technology and high-performance hydraulics.
- › Longer battery running time for the same battery capacity by modern control technology with energy recuperation.
- › Quick battery change possible via roller conveyor.
- › Stable, strong clear-view lift masts, manufactured 'in house' with high reserves of load capacities, even at large load centres.
- › Lift heights up to 8500 mm with minimal loss of capacity.
- › Reduced running costs with high quality proprietary components from well-known industrial suppliers.
- › A variety of cabin versions offer optimal all round vision.
- › Additional equipments as telescopic forks, side shift, rotating devices, ram attachments, etc. are optionally available.

## Operation



All main driving and hydraulic functions are controlled from a single ergonomically designed new joystick generation developed by HUBTEX:

The joystick offers fully proportional lift/lower, mast reach/retract, fork tilt and optional fork positioning without moving the hand from this single controller.

## Ergonomics



The perfectly styled comfortable driver's cabin offers optimal all round vision, non-slip floor covering and more legroom.

Everything is clearly arranged and easily accessible. Sensitive full power steering gives the truck extreme manoeuvrability and allows quick operation.

The rubber mounted cabin with the full suspension seat is a standard and makes working with the series 4120 to a real pleasure.



**“Let everybody do  
what he can do best!”** Cicero

**SERIES 4120**

Compare yourself!

# Reduce the aisles widths by at least 20%

comparing the HUBTEX Electric Fork-Lift Reach Truck ESW 45, series 4120, to a conventional fork-lift reach truck, both with a capacity of 4500 kg and a fork length of 1200 mm.



Model	Lift capacity
ESW 35	3500 kg
ESW 40	4000 kg
ESW 45	4500 kg
ESW 50	5000 kg
ESW 60	6000 kg

## Maintenance and service



The modular construction of HUBTEX trucks ensures easy access for daily checks as well as for regular service and maintenance.

All drive and steering assemblies are easily accessible reducing down time and retaining truck value.

## Tyres

Application either with Vulkollan tyres for interior use or Pevopor respectively rubber cushion tyres for combined interior and exterior use.

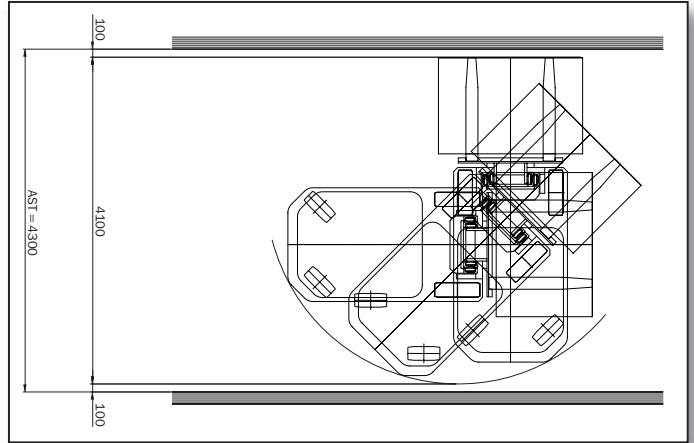


Vulkollan (PU)



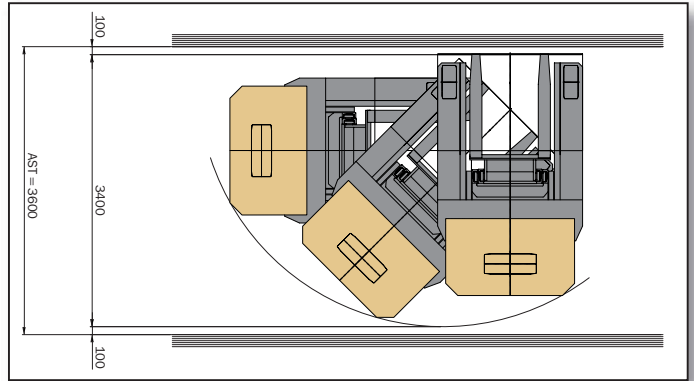
Elastik (EL)

## Conventional electric fork-lift reach truck



**I2 = 2600 mm / GL = 1200 mm / L = 3800 mm**

## HUBTEX electric fork-lift reach truck



**I2 = 1800 mm / GL = 1200 mm / L = 3000 mm**

## Quality and Safety



All HUBTEX trucks are built to the highest possible quality and safety standards and HUBTEX has been a DIN EN ISO 9001:2000 certified company for over 7 years.

### Other standards including:

- Full compliance with existing and all known future EU regulations,
- All siders have a full stability test to EN 1726-1 before delivery,
- Hydraulic overload-protection and load locking valves in lift cylinders,
- Quality welding to DIN 18 800 and to the highly acclaimed welding safety certificate DIN 15 018.



# HUBTEX.



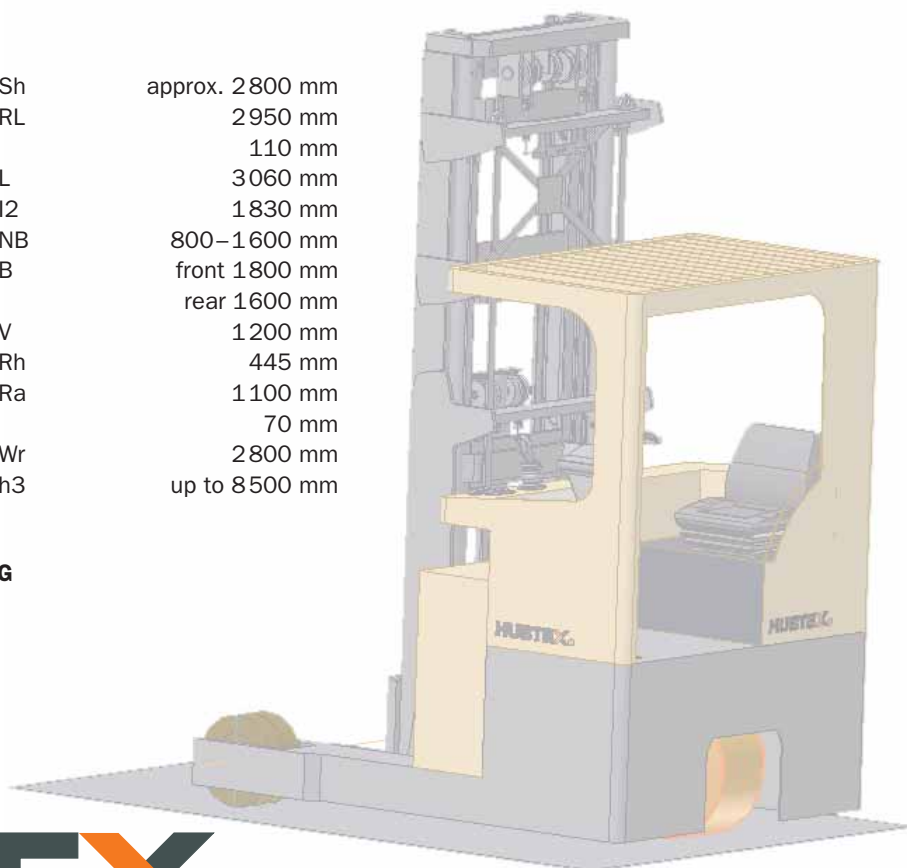
## Optimize your productivity!

### TECHNICAL DETAILS

height over cabin:	Sh	approx. 2800 mm
frame length:	RL	2950 mm
fork projection (loadbed 1200 mm):		110 mm
total length (fork length 1200 mm):	L	3060 mm
front part of vehicle:	I2	1830 mm
loadbed width:	NB	800–1600 mm
frame width:	B	front 1800 mm rear 1600 mm
mast reach:	V	1200 mm
height over loadarms:	Rh	445 mm
loadarm opening:	Ra	1100 mm
clearance approx.:		70 mm
turning radius approx.:	Wr	2800 mm
lift heights:	h3	up to 8500 mm

### HUBTEX Maschinenbau GmbH & Co. KG

Industriepark West  
Werner-von-Siemens-Str. 8  
36041 Fulda, Germany  
Tel. +49-661-8382-0  
Fax +49-661-8382-120  
[www.hubtex.com](http://www.hubtex.com)



# HUBTEX.

Technical modification reserved.

Pictures may show options which are not standard equipment.